

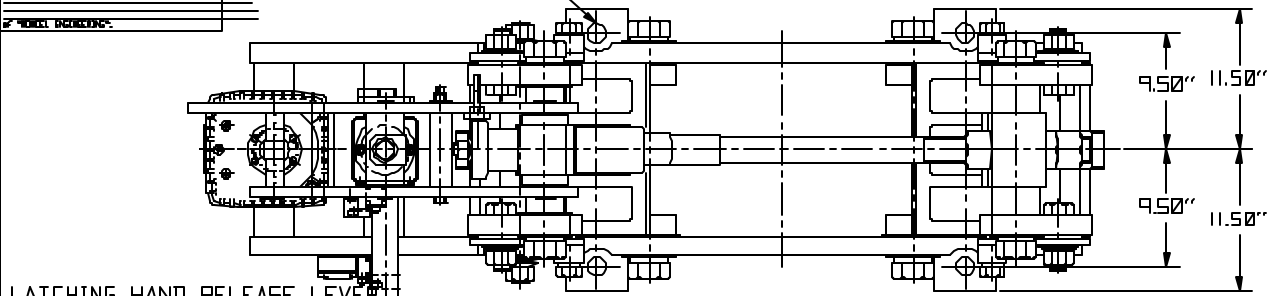
This document is the confidential property of
 MONDEL ENGINEERING

4 - HOLES (SEE NOTE 1)

ITEM	DESCRIPTION	PART NO.	QTY.
1			
2			

LEFT HAND (FIA ASSY) SHOWN

NOTE: \triangle
 1. SPECIAL 4 PILOT 1.375" DIA. HOLES.
 FINAL REAMED HOLES
 TO BE 1.565" DIA. (BY OTHERS)



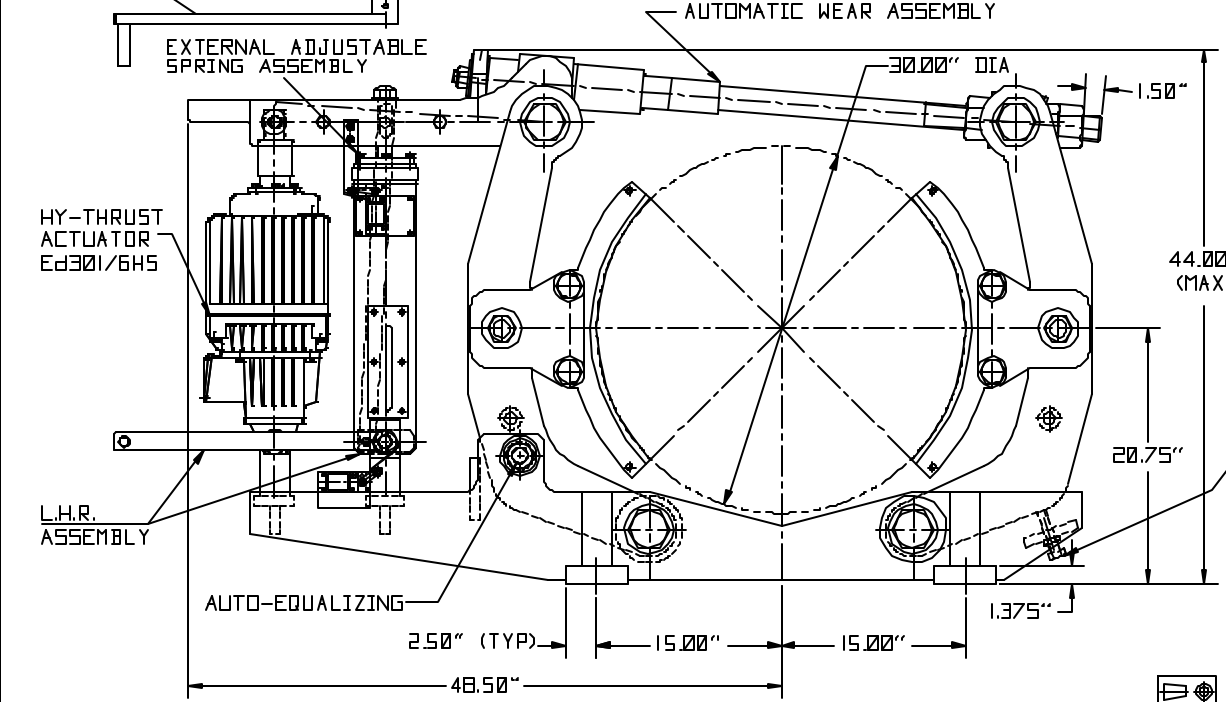
LATCHING HAND RELEASE LEVER

APPROX WEIGHT = 1825 LB
 TORQUE RANGE 3500-7500
 lb.ft.

\triangle

LIMIT SWITCHES
 'C1' = BRAKE RELEASE
 'C2' = LATCHING RELEASE
 ALL STEEL COMPONENTS
 NITRIDED
 UNSUITABLE FOR PAINTING

SHIPPING BOLTS (DISCARD OR
 BACK OFF AND LOCK IN POSITION
 WELL CLEAR OF LINK ARMS)



FOR CONTRACT # B-29287
 SET TORQUE WITH 301 ACTUATOR
 AT 7500 lb.ft.

2	NOTE 1: ANKER STATEMENT MAX. TORQUE 7500 LB-FT. - 800VDC RB	RB	MAR27/82
1	DRAWING UPDATED	RB	MAR85/82
NO.	REVISION	BY	DATE
MEL MONDEL ENGINEERING			
TITLE: 30" MBTJG/E-Ed 301/6HS OUTLINE			
DRAWN BY	DATE	DWG NO.	REV NO.
CHECKED BY	DATE	902449	2
APPROV. JN	SCALE: N.T.S.	SHEET 1 OF 1	ASSY: 30" MBTJG/E

